
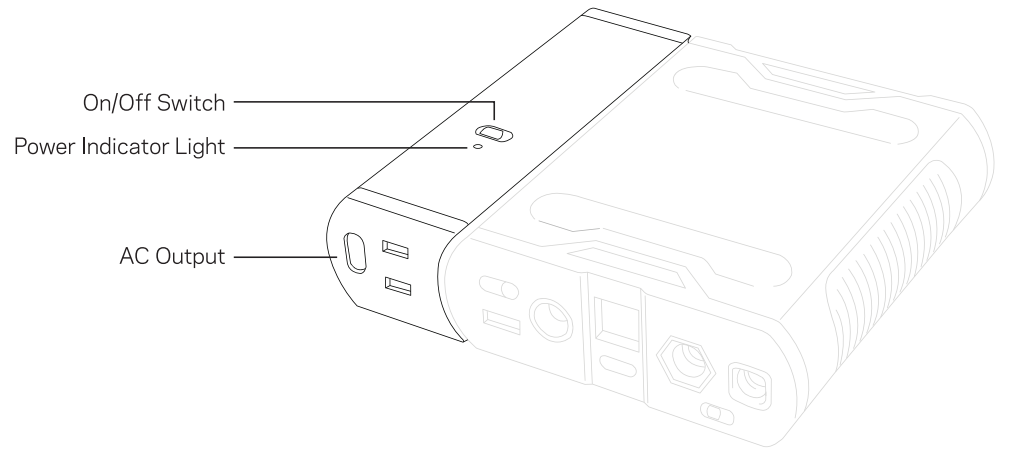


Technical Specifications	
Usage:	
Use with the following:	
Goal Zero Sherpa 50 v2	
Goal Zero Sherpa 100	
Inputs	
12V Port (9mm)	9-13V, 0-10A (120W max)
Outputs	
AC US Standard Outlet	110VAC (100W max)
Sherpa 50	75W
Sherpa 100	100W

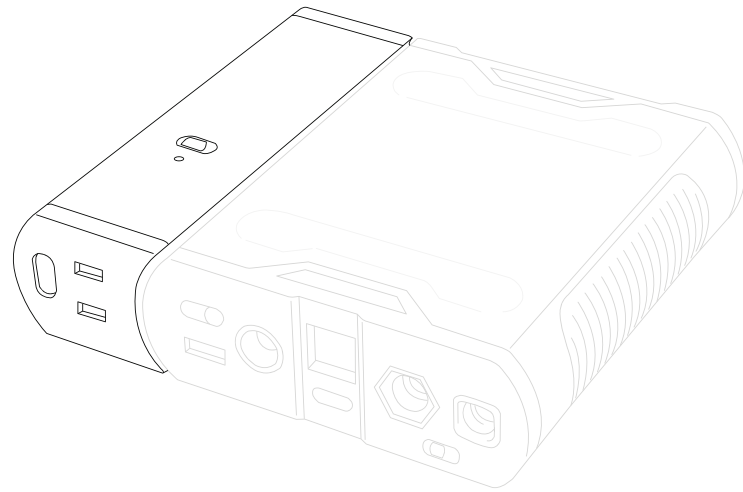
General	
Weight	0.35 lbs (159 g)
Dimensions	1 x 1.5 x 5.25 in (2.54 x 3.8 x 13.34 cm)
Warranty	12 months
Certifications	 CE
Operating usage temp	32-104F (0-40C)



Know Your Gear

SHERPA[®] INVERTER

USER GUIDE



GOAL ZERO HEADQUARTERS
 675 West 14600 South
 Bluffdale, UT 84065
 1-888-794-6250
 Designed in the U.S.A.
 Made in China

Sherpa is a trademark of Goal Zero.

Be sure to activate your warranty at goalzero.com/warranty



PLUG

To 12V car adapter or Sherpa Power Pack.

1

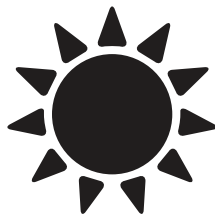
POWER

Plug in any AC* device.



2

*Up to 100 Watts



REPLENISH

To stay prepared keep recharger plugged into AC, 12V, or solar panel.

3

Frequently Asked Questions

Q: Is the Sherpa Inverter waterproof?

A: No. Do not use the Sherpa Inverter if it is wet. If it gets wet, allow it to dry completely before using it.

Q: Can I use the Sherpa Inverter with chained Goal Zero Sherpa Power Pack?

A: Yes, but make sure to attach Sherpa Inverter and chaining cord, and turn on all Sherpa Power Packs.

Q: Can I use the Sherpa Inverter as a stand-alone source of power?

A: No. The Sherpa Inverter is specifically designed to enhance the capabilities of the Sherpa Power Pack. It is NOT a battery, and cannot power items on its own.

Q: Do I have to have a Sherpa Power Pack to use my inverter?

A: The Sherpa Inverter can be used with the Sherpa Power Pack as well as in your car with the 12V car adapter (included).

This equipment has been tested and found to comply with the limits for a Class B digital device, pursuant to part 15 of the FCC Rules. These limits are designed to provide reasonable protection against harmful interference in a residential installation. This equipment generates, uses and can radiate radio frequency energy and, if not installed and used in accordance with the instructions, may cause harmful interference to radio communications. However, there is no guarantee that interference will not occur in a particular installation. If this equipment does cause harmful interference to radio or television reception, which can be determined by turning the equipment off and on, the user is encouraged to try to correct the interference by one or more of the following measures:
—Reorient or relocate the receiving antenna.
—Increase the separation between the equipment and receiver.
—Connect the equipment into an outlet on a circuit different from that to which the receiver is connected.
—Consult the dealer or an experienced radio/TV technician for help.

This device complies with part 15 of the FCC Rules. Operation is subject to the following two conditions: (1) This device may not cause harmful interference, and (2) this device must accept any interference received, including interference that may cause undesired operation.